



All the patents are held accountable counterfeiting.

Features



Green Power

- Full Range Input with PFC
- Dual output model, independent regulation
- Comply with High Efficiency Power 80Plus Criterion
- 91% High Efficiency
- Split rail & Series connection possible
- Fan cooled
- 100% burn-in test
- 2 years warranty
- Output modify range: 3V~200VDC

DIMENSIONS: 151(L)*99(W)*38(H)mm

WEIGHTS: 500g

General specifications

INPUT

Input range	90~264VAC 120~380VDC
Input frequency	47~63Hz
Inrush current (25°C)	20A/110VAC 40A/220VAC
Power factor	95% Min.

OUTPUT

Hold-up time	13ms
Short protection	Autorecovery
Over load protection	Automatic power limited

Detail specifications

200~250 Watts

MODEL	O/P Volt Adj. ± %	Load(Current) ¹			Ripple & Noise ⁴	Line REG. ²	Load REG. ³	Efficiency ⁵	O.V.P
		Min.	Rated	Max.					
RPH1200-05C	V : +5V ±10%	0A	40.0A	50.0A (1s)	70mV	±1%	±1%	80% Ref.	5.8 ~ 7.0V
RPH1250-12C	V : +12V ±10%	0A	20.8A	20.8A	120mV	±1%	±1%	87% Ref.	17.1 ~ 18.9V
RPH1250-24C	V : +24V ±10%	0A	10.4A	10.4A	240mV	±1%	±1%	87% Ref.	31.4 ~ 34.7V
RPH1250-36C	V : +36V ±10%	0A	7.0A	7.0A	360mV	±1%	±1%	87% Ref.	47.8 ~ 53.2V
RPH1250-48C	V : +48V ±10%	0A	5.2A	5.2A	480mV	±1%	±1%	91% Ref.	64.6 ~ 71.4V
RPH22501C	V1 : +12V ±10% V2 : +5V	0A 0A	19.6A 3.0A	20.8A 3.0A	120mV 40mV	±1% ±1%	±1% ±1%	86% Ref.	17.1 ~ 18.9V 5.8 ~ 7.0V
RPH22502C	V1 : +12V ±10% V2 : +5V	0A 0A	16.6A 10.0A	20.8A 17.0A	120mV 40mV	±1% ±1%	±1% ±1%	86% Ref.	17.1 ~ 18.9V 6.0 ~ 6.3V
RPH22503C	V1 : +24V ±10% V2 : +5V	0A 0A	9.8A 3.0A	10.0A 3.0A	240mV 40mV	±1% ±1%	±1% ±1%	88% Ref.	31.4 ~ 34.7V 5.6 ~ 6.2V
RPH22504C	V1 : +24V ±10% V2 : +12V	0A 0A	9.16A 2.5A	10.5A 3.0A	240mV 120mV	±1% ±1%	±1% ±1%	88% Ref.	31.4 ~ 34.7V 17.1 ~ 18.9V
RPH22505C	V1 : +36V ±10% V2 : +5V	0A 0A	6.53A 3.0A	7.0A 3.0A	360mV 40mV	±1% ±1%	±1% ±1%	87% Ref.	47.8 ~ 53.2V 5.6 ~ 6.2V
RPH22506C	V1 : +48V ±10% V2 : +12V	0A 0A	4.85A 1.2A	4.85A 1.2A	480mV 80mV	±1% ±1%	±1% ±1%	91% Ref.	64.6 ~ 71.4V 15 ~ 18V



All the patents are held accountable counterfeiting.

CE Standards

EN 55032, EN 55035,
EN 61000-3-2, EN 61000-3-3,
(EN 61000-4-2, EN 61000-4-3,
EN 61000-4-4, EN 61000-4-5,
EN 61000-4-6, EN 61000-4-8,
EN 61000-4-11)
Heavy Industry level, criteria A
LVD: EN 62368-1

Safety Standards



UL 62368 Meet



CE Marking

Environments

Operating Temperature	-15 ~ 50°C, Ambient
Operating Humidity	20 ~ 90% RH, No Condensing
Storage Temperature	-20 ~ 85°C, Ambient
Vibration	2G, 10~500Hz, 3 axes

NOTE

1. Each output can provide up to maximum load for dual output, but total load can not exceed rated output power.
2. Line regulation is measured from low line to high line at rated load.
3. Load regulation is measured from 20% to 100% of rated load at 220VAC input.
4. Ripple & Noise are measured with 20MHz oscilloscope at 220VAC by using a 20cm long 12" twisted pair-wire with a 0.1uF/630V metal capacitor & a 47uF electrolytic capacitor parallel on the test point.
5. Efficiency is measured at rated load and 220VAC input.
6. Hold-up time is measured at rated load and 220VAC input.
7. Output Voltage Adjustable is measured on 5% of rated load.
8. Reign Power reserve the right to change specifications at any time without notice.

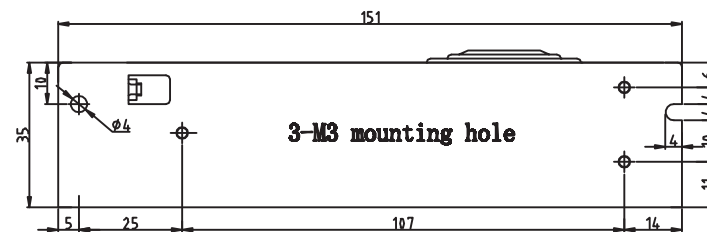
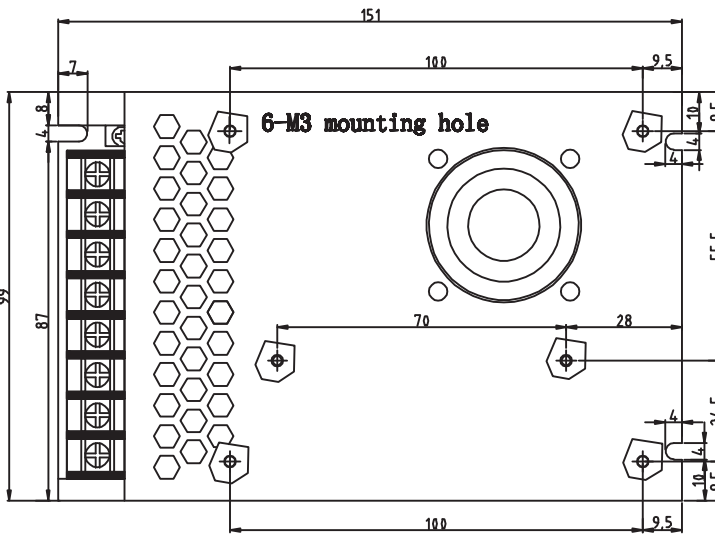
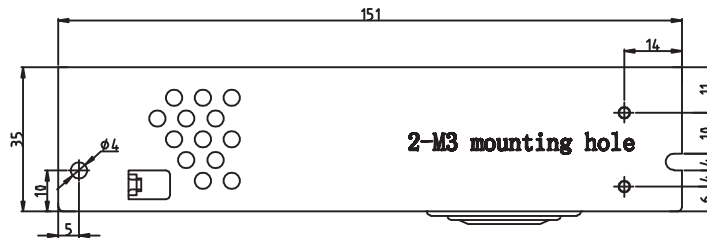
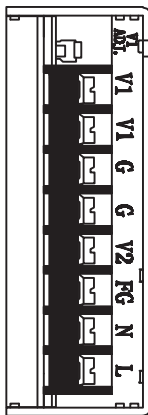


All the patents are held accountable counterfeiting.

Mechanical Details

Pin

8 7 6 5 4 3 2 1



Panel Designation

CASE NO. : CS250H
UNIT : mm
DIMENSION : 151(H)*99(D)*38(W)
MATERIAL : ALUMINUM
COLOR : ORIGINAL ALUMINUM

Pin	Single	Dual	Description
1	L	L	L : Line Terminal of Input N : Neutral Terminal of Input FG : Ground (Earth) No Polarity At DC Input
2	N	N	
3	FG	FG	
4	NC	V2	NC : No connection G : DC Output Ground Terminal Vx : DC Output Terminal (Specify at spec.)
5,6	G	G	
7,8	V1	V1	