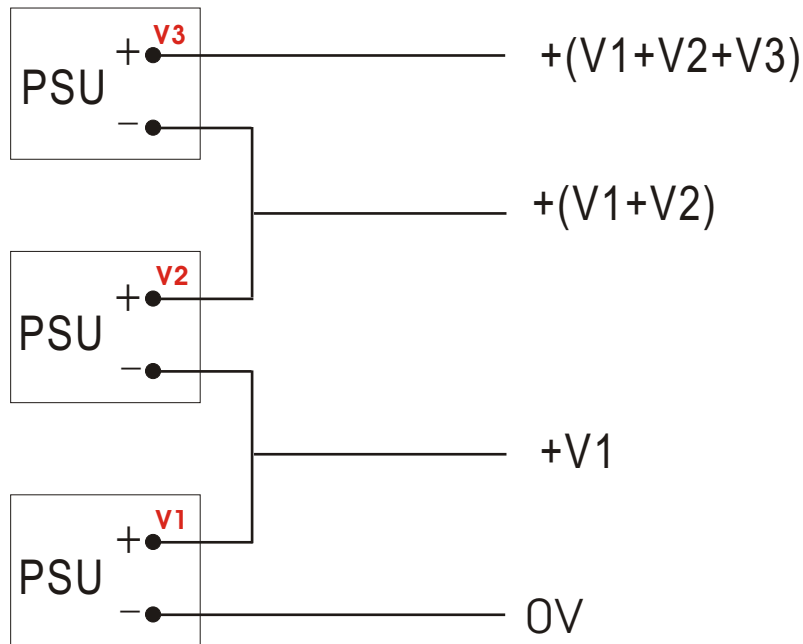




# Series Connection Circuit

Picture 1

(串接使用接線圖)

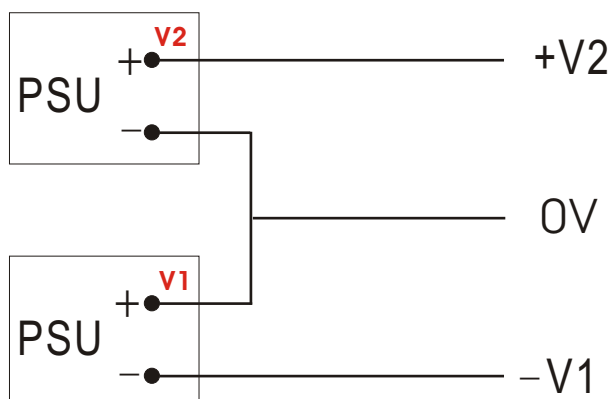


PS:  $V_1 \sim V_x$  can be any voltage  
 $V_1 \sim V_x$  可為任何伏特數

# Split Rail Connection Circuit

Picture 2

(逆接使用接線圖)

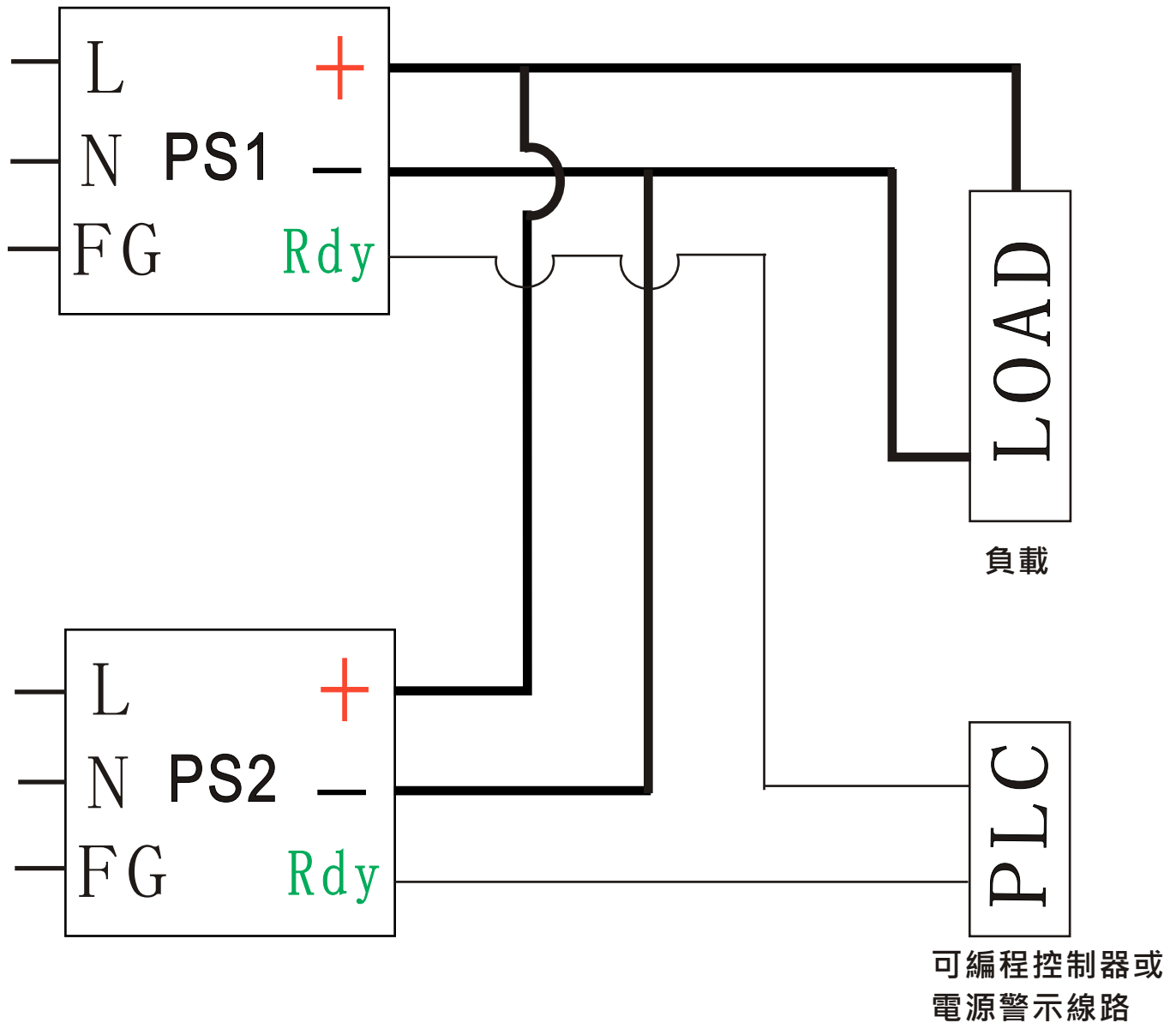




# Redundant Use Connection Circuit

(備源使用接線圖)

Picture 3



## NOTE:

The line total output generated from the remaining PSU is the same.

無論備源幾台總輸出功率等同一台電源

$PS1 = PS2 = \dots = PSn = PS(\text{Output})$

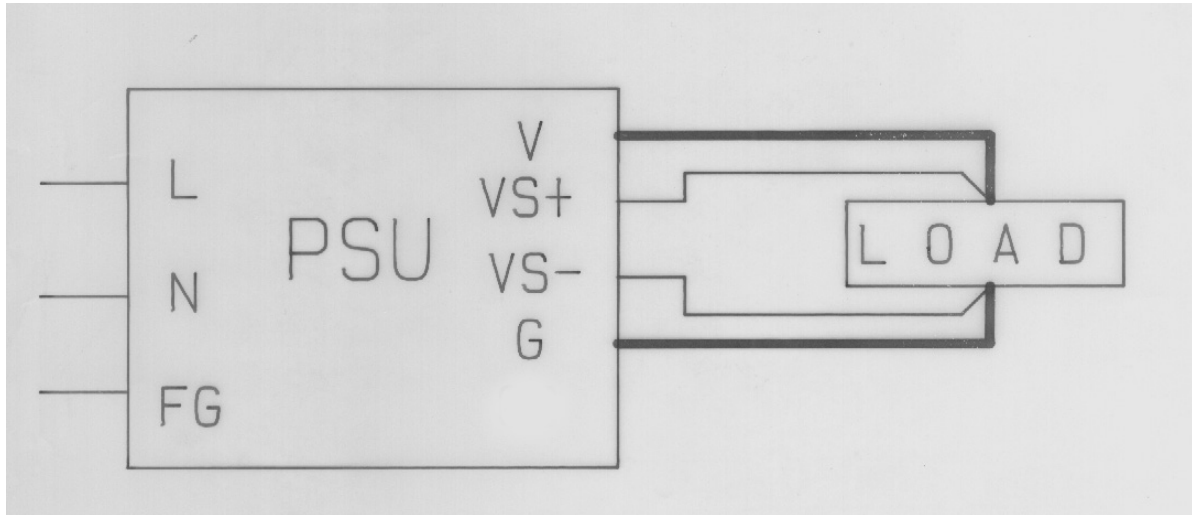
$PS1 = PS2 = \dots = PSn = PS(\text{總輸出})$



# Normal Use With Remote Senser Circuit

(外接電壓偵測使用接線圖)

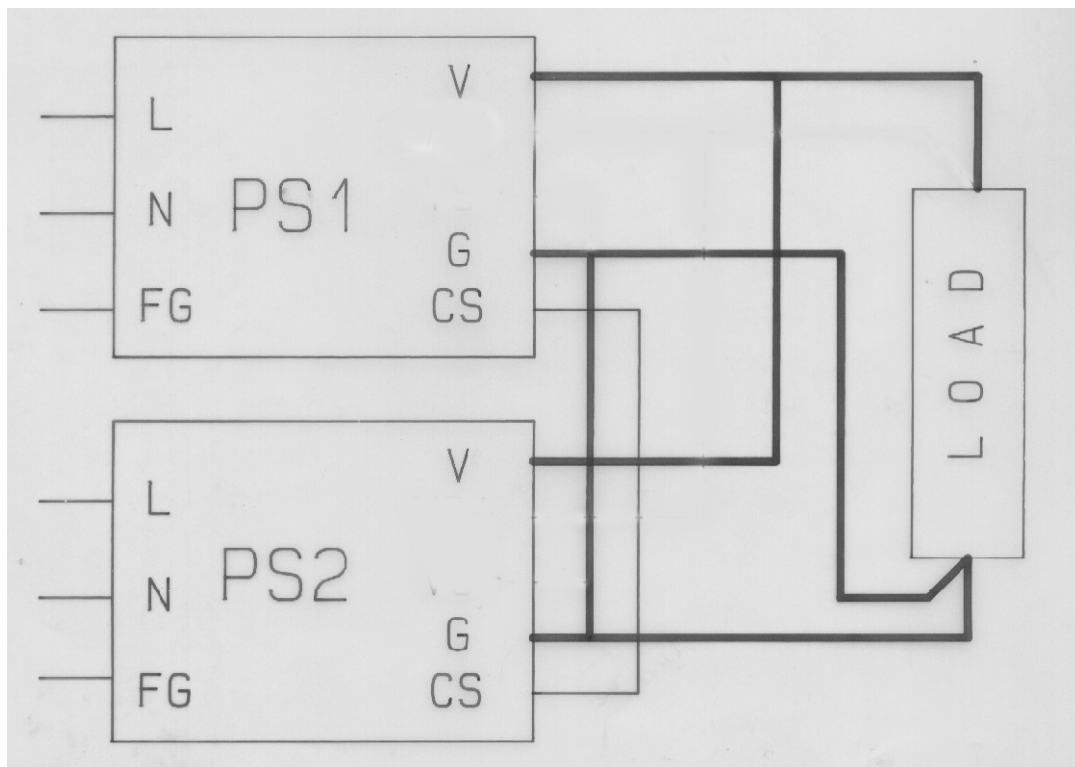
Picture 4



# Parallel Use With Current Share Connection Circuit

(並聯及均流使用接線圖)

Picture 5



**Total Output Current = PS1 + PS2 + ..... + PSn**

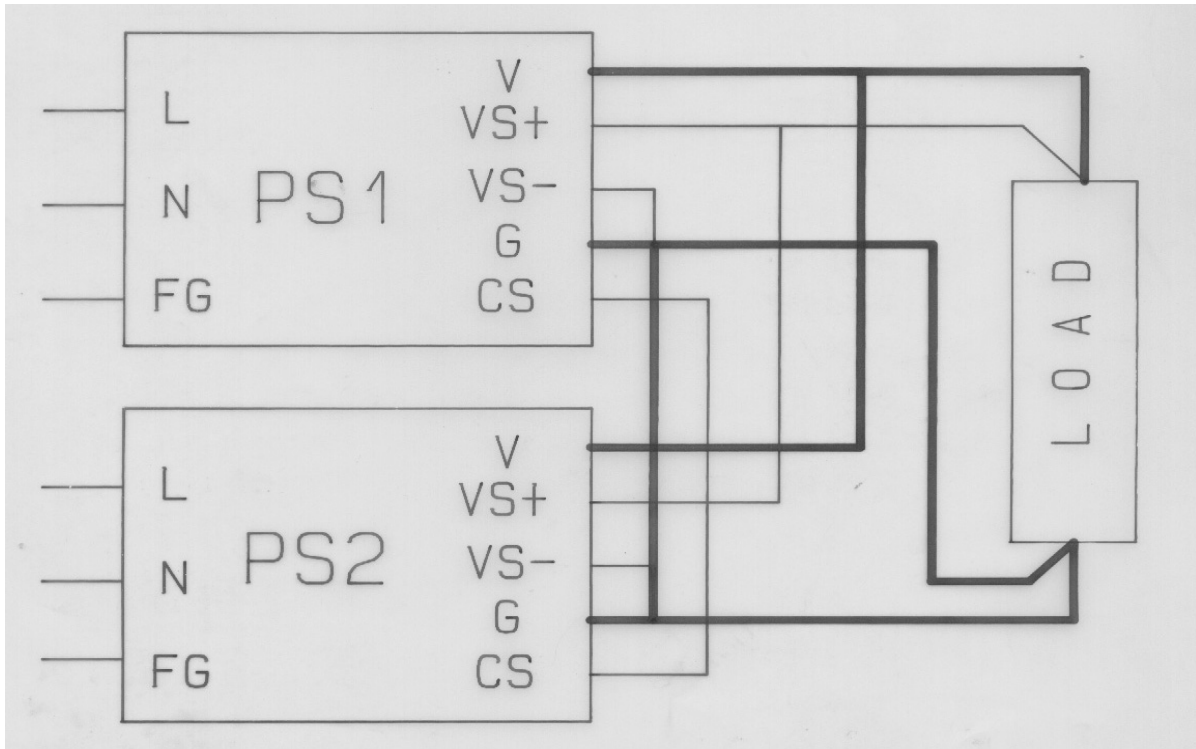
**總輸出電流 = PS1 + PS2 + ..... + PSn**



## Parallel Use With Remote Sense &amp; Current Share Connection Circuit

(並聯加遠端電壓偵測及均流使用接線圖)

Picture 6



Total Output Current = PS1 + PS2 + ..... + PSn

總輸出電流 = PS1 + PS2 + ..... + PSn